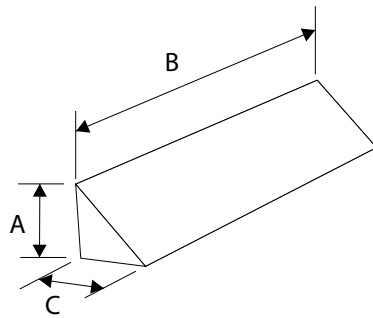
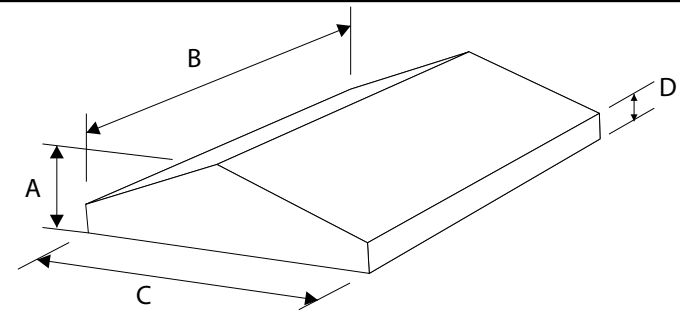


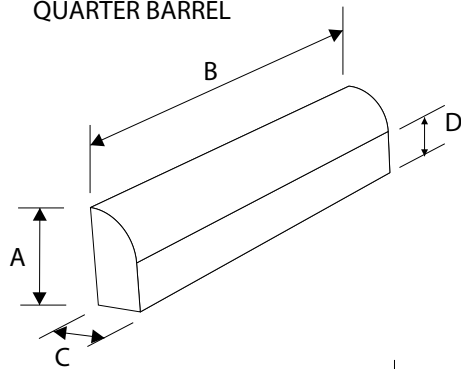
QUARTER BARREL



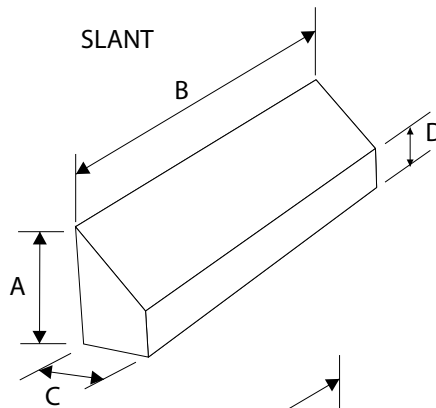
SLANT



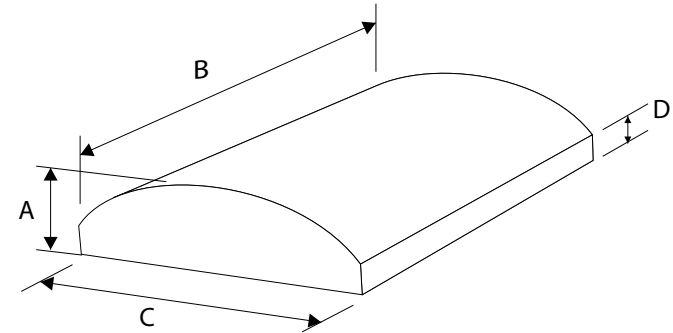
GABLE MARQUEE



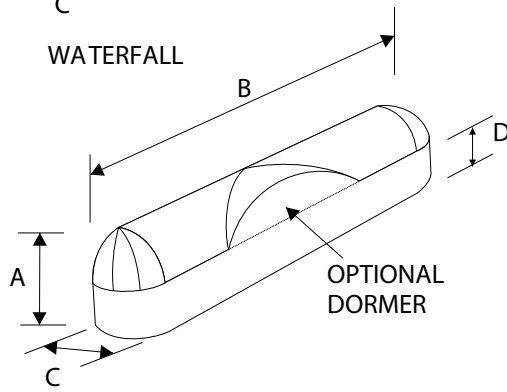
WATERFALL



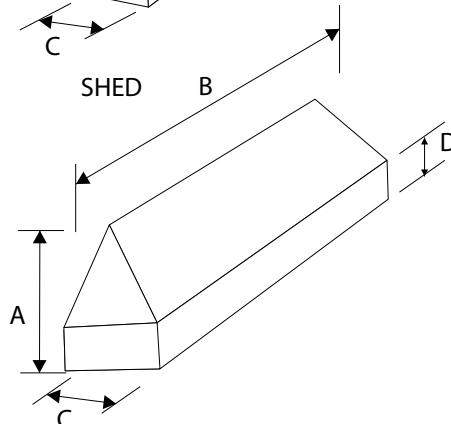
SHED



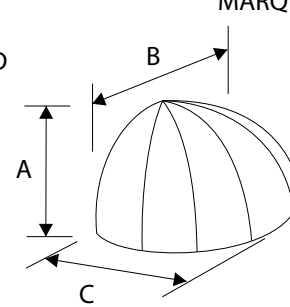
MARQUEE



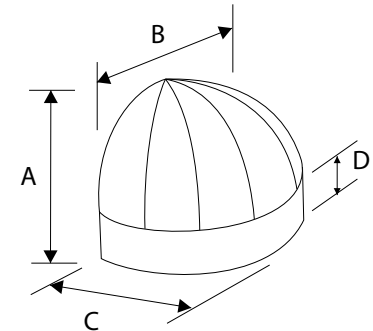
RADIUS ENDED WATERFALL



HIP ENDED SHED



DOME



DOME W/ SIGN PANEL



4162 North Awning Court Greenfield, IN 46140  
 TEL: 317-336-8018 FAX: 317-336-8015  
 Toll Free TEL: 877-352-8014 Toll Free FAX: 877-308-8720

# Typical Awning Styles

A = HEIGHT

C = PROJECTION

B = WIDTH

D = SIGN PANEL